

## USERS MANUAL

### MODULO<sup>®</sup> 450 MODULO<sup>®</sup> 18Î

CONFORM TO EUROPEAN NORM  
EN 1808 È MARCH 1999  
MACHINE DIRECTIVE 2006/42/EC



#### Manufacturer

**POWER CLIMBER B.V.B.A.**  
Satenrozen 7  
B- 2550 Kontich  
BELGIUM

**Website: [www.PowerClimber.be](http://www.PowerClimber.be)**  
**Tel: +32-3-451.05.00**  
**Fax: +32-3-451.05.01**  
**e-mail: [Info@PowerClimber.be](mailto:Info@PowerClimber.be)**

Reference: 38762-E

Issue date: 07-may-2003

Revision: B

Page: 1 of 11



Tel. +32-3-451 05 00

E-mail: [Info@PowerClimber.be](mailto:Info@PowerClimber.be)  
Website: [www.PowerClimber.be](http://www.PowerClimber.be)

Fax +32-3-451 05 01

## Contents

<b>Contents</b> .....	<b>2</b>
<b>Overview</b> .....	<b>3</b>
Exploded view of platform with end stirrups .....	3
View of platform with walk through stirrups (WTS).....	4
<b>Major dimensions</b> .....	<b>5</b>
<b>Load table platform</b> .....	<b>6</b>
Customized sections.....	6
<b>SafeFix pin system</b> .....	<b>7</b>
<b>Mounting</b> .....	<b>8</b>
1) Assembling the U-frames and guard rail posts .....	8
2) U-frames & Side frames: .....	8
3) Assembling End Frame with Stirrup.....	9
4) Floor .....	9
5) Guard rail .....	10
6) Wall Rollers.....	10
7) Walk through stirrup .....	11

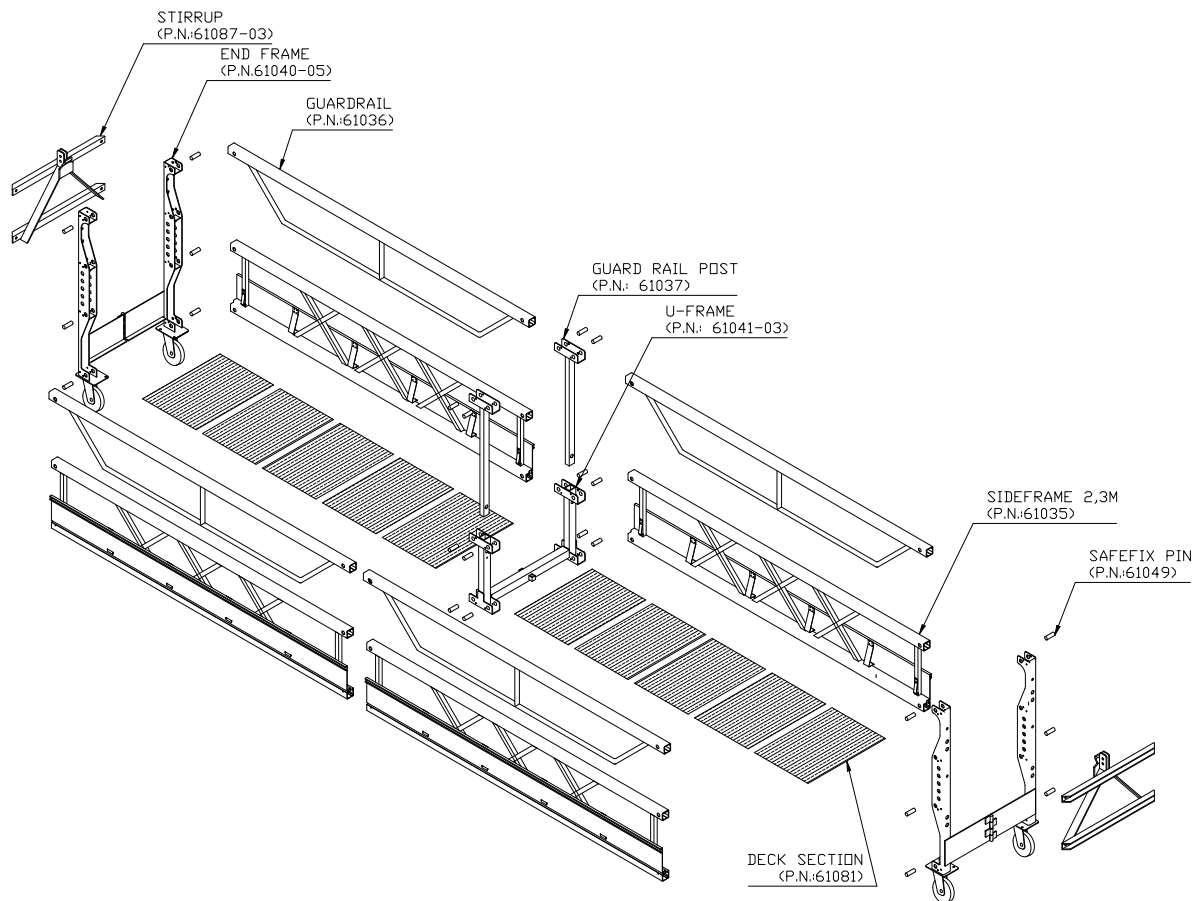
Reference: 38762-E	Issue date: 07-may-2003	Revision: B	Page: 2 of 11
--------------------	-------------------------	-------------	---------------



## Overview

- The modular design of the MODULO® 450 / MODULO® 18+suspended platform allows you to modify the configuration of the standard components to obtain the platform length required. These components are secured together by using the patented SafeFix pin system.
- All components fit through a manhole of dia. 450mm (or 18 inch)

## Exploded view of platform with end stirrups



Reference: 38762-E

Issue date: 07-may-2003

Revision: B

Page: 3 of 11



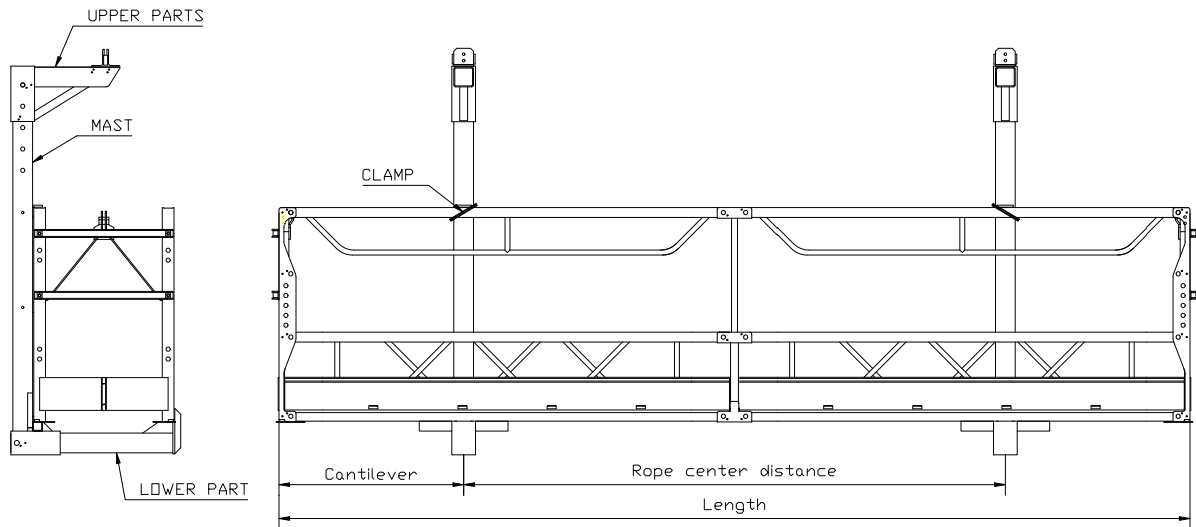
Tel. +32-3-451 05 00

E-mail: [Info@PowerClimber.be](mailto:Info@PowerClimber.be)  
 Website: [www.PowerClimber.be](http://www.PowerClimber.be)

Fax +32-3-451 05 01

## Overview

### View of platform with walk through stirrups (WTS)



### Check before every use:

1. All pins have to be in horizontal (closed) position.
2. Check the condition of the Safe Fix pins:
  - Pressure in horizontal (closed) position
  - Condition of the spring and spring holder
3. Check condition of all holes in the side frame, U-frame and stirrup.
4. Check the condition of the floor retainers. (4 springs on each deck section)

Guidelines for use of Astro-hoist, see manual 38701-E

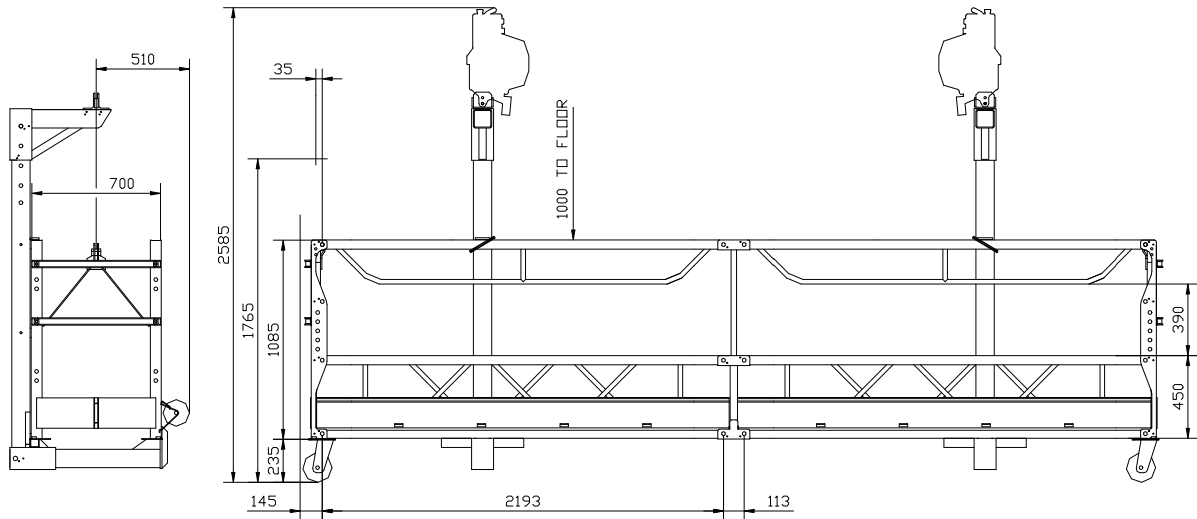
The cable retainers of the power supply have to be hooked onto the mid rail or cross braces.

The lifeline (personal security) has to be hooked onto the mid rail.

Wind restrictions at 12m/s.

Reference: 38762-E	Issue date: 07-may-2003	Revision: B	Page: 4 of 11
--------------------	-------------------------	-------------	---------------

## Major dimensions



Reference: 38762-E

Issue date: 07-may-2003

Revision: B

Page: 5 of 11



Tel. +32-3-451 05 00

E-mail: [Info@PowerClimber.be](mailto:Info@PowerClimber.be)  
 Website: [www.PowerClimber.be](http://www.PowerClimber.be)

Fax +32-3-451 05 01

## Load table platform

<b>MODULO® 450</b>					<b>Hoist capacity (kg) (WLL)</b>					
					<b>500</b>		<b>600</b>		<b>800</b>	
<b>Length</b>	<b>No. of sections</b>	<b>Max. load per meter</b>	<b>Self-weight (platform only)</b>	<b>Max. Cantilever</b>	<b>Max. rated load</b>	<b>Max. no. of persons</b>	<b>Max. rated load</b>	<b>Max. no. of persons</b>	<b>Max. rated load</b>	<b>Max. no. of persons</b>
(m)		(kg/m)	(kg)	(m)	(kg)		(kg)		(kg)	
2.3	1	186	100	0.5	430	2	430	2	430	2
4.6	2	130	160	1	350	3	600	5	600	5
6.9	3	120	200	1.5	350	3	670	4	690	7
9.2	4	110	240	2	350	3	610	6	640	7
11.5	5	100	280	2.5	350	3	440	4	440	4

**Remark:** Other numbers of cantilever and loadings on request.

### Customized sections

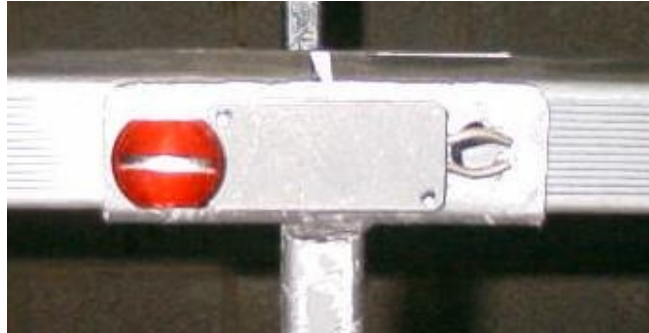
For special applications, special lengths of Modulo sections are available.  
For these platforms, the following restrictions apply:

- maximum section length available is standard 2.3m.
- a platform with end-stirrups should not be configured with more than 5 U-frames.
- a platform with walk-through stirrups should not be configured with more than 5 U-frames between the stirrups and not more than 1 U-frame on each cantilever section.
- a platform with either end-stirrups or walk-through stirrups, can be configured with up to two special sections only, and these can only be placed at each end of the platform.

Reference: 38762-E	Issue date: 07-may-2003	Revision: B	Page: 6 of 11
--------------------	-------------------------	-------------	---------------



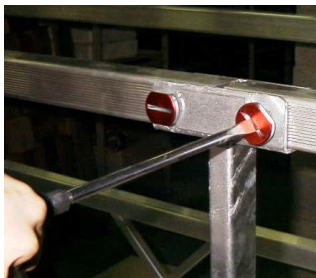
## SafeFix pin system



The patented Safe Fix pin system is a one step insert and snap method to assemble MODULO® platform components. The slotted pin is fixed in place by a spring mounted on the stirrup or U-frame.

### Insertion:

- Line the pin up with the hole, so that the slot at the base of the pin is horizontal.
- Push the pin in from outside until the spring clicks in the grooves on the shaft of the pin. If required, rotate the pin till the slot is horizontal and the springs are in place.
- Make sure the pin is secured.



### Removal:

- Rotate the pin ¼ turn till the slot is vertical (and the springs are no longer in the grooves) and pull the pin out.

Note: The pin can be positioned with the use of a hammer and a screwdriver.

**ATTENTION:** Life span of springs: Springs have to be replaced when they no longer exert pressure on the grooves of the pin shaft.

Reference: 38762-E	Issue date: 07-may-2003	Revision: B	Page: 7 of 11
--------------------	-------------------------	-------------	---------------

## Mounting

### 1) Assembling the U-frames and guard rail posts

An assembled U-frame exists of:

- U-frame
- 2 pins
- 2 guardrail posts

Lock with  
Safe Fix  
Pin



Slide both guard rail posts into the U-frame and lock with Safe Fix pin.

### 2) U-frames & Side frames:

Begin assembly by mounting the side frames on the U-frames. Secure each side frame to the U-frame with 2 Safe Fix pins.

Once one U-frame is mounted start with the next U-frame.





## Mounting (cont.)

### 3) Assembling End Frame with Stirrup

Unfold the end frame  
Secure the stirrup to the end frame (with 4 x M12 bolts).  
Connect end frame to side frames with 4 Safe Fix Pins.

2 bolts M12  
at each side

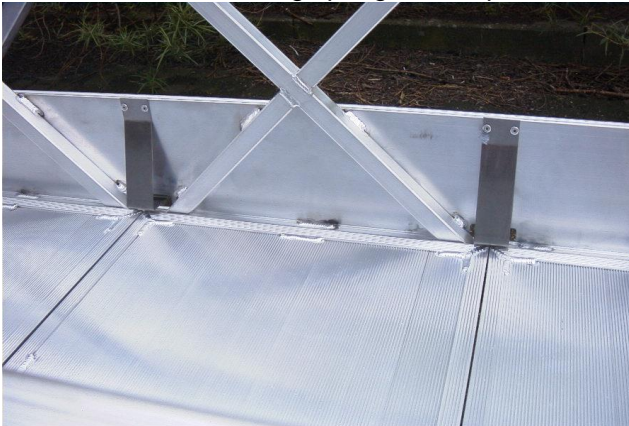


### 4) Floor

Put in floor (flat side up) as shown.



Check that all 4 retaining springs are in place.



### NOTE:

To remove floor, push on the spring and lift floor at the same time.  
Five decks are required to cover one section.

Reference: 38762-E	Issue date: 07-may-2003	Revision: B	Page: 9 of 11
--------------------	-------------------------	-------------	---------------



## Mounting (cont.)

### 5) Guard rail

Mount guard rails, inserting 2 Safe Fix pins in each end.



**Remarks:** Never stand on the guardrail or midrail while platform is in use.

### 6) Wall Rollers

Loosen screws to insert the wall rollers in the grooves of the side frame. The wall roller can be located anywhere along the length of the side frame as required. Use minimum 2 wall rollers and put them wide apart.



## Mounting (cont.)

### 7) Walk through stirrup



- Fit the upper part at desired height and lock with Safe Fix pin.
- Hang the mast over the midrail and screw on the two bolts (do not yet tighten, see below). Make sure that position is in line with the suspension points, otherwise the slack rope safety mechanism will not work properly.
- Fit the lower part into the mast and lock with the second Safe Fix pin.



- Mount the hoist and put the steel wire ropes in the rope guiders.
- When mounting the hoist check the orientation of the hoist.
- Suspend minimum 6 kg on the suspension rope.
- Suspend minimum 12 kg on the safety rope.
- Lift the platform a few centimeters and screw the bolts tighter.