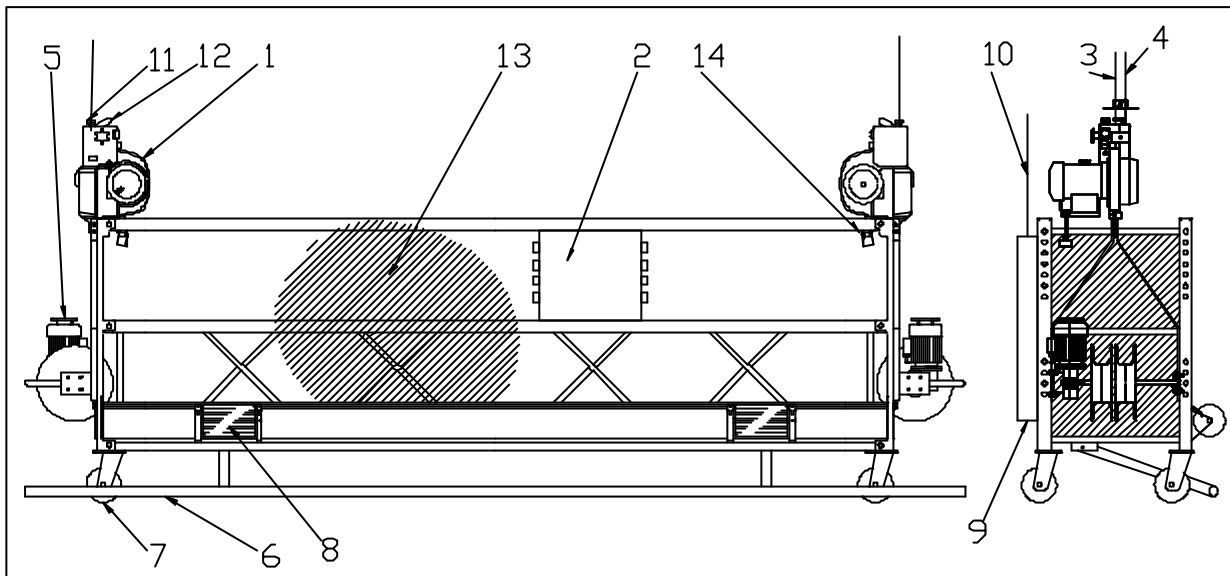


## Building Maintenance Unit - ASTRO hoist



### Standard features

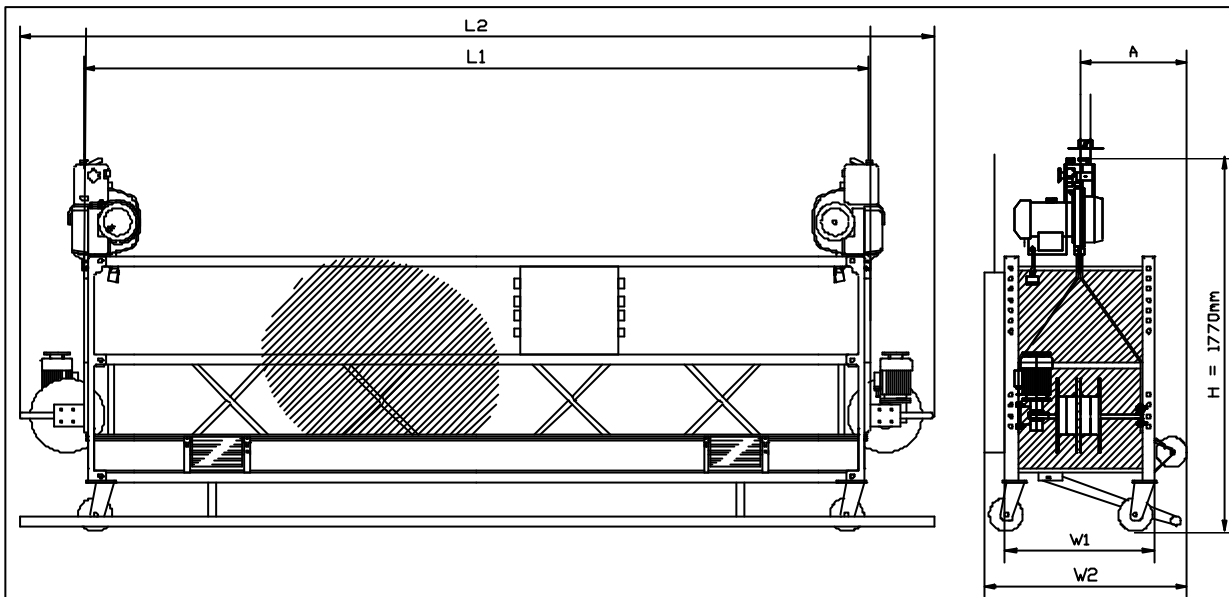
- Lightweight aluminium construction
- Flat cladding on four sides (solid aluminium plate)
- Powered by ASTRO hoist with thermal protection in series **(1)**
- Power supply: 3x415V +Earth, three phase, 50Hz **(10)**
- Slack rope safety device with electrical interlock **(12)**
- Overspeed safety device with electrical interlock in series
- Top limit and Ultimate top limit switch in series **(11)**
- Bottom limit trip bar **(6)**
- Electro-mechanical overload detection device in series **(14)**
- 'No Power' emergency descent system
- Twin-drum wire winders up to 125m **(5)**
- Internal protection cover over wire winder
- External protection bar for wire winder
- Cable bin **(9)**
- Low-noise castor wheels Ø160mm **(7)**
- Non-marking soft wall rollers **(8)**
- Safety harness attachment points
- Foothold cut-outs for operator in/out
- Climbing speed: 8.5 m/min.
- Safety rope **(4)** and suspension rope **(3)**: Ø 8.4 mm (52.3 kN)

### Central Control Box (2)

- Hold to run 'up/down' operating buttons
- Emergency stop
- Hoist selector switch (left/both/right)
- Main power switch
- Automatic main fuse
- Low voltage controls (48V)
- Overload warning light
- Bottom trip bar bypass button
- Automatic levelling system
- 'Power On' indicator light
- Thermal protection for wire winder motors
- Hourmeter
- Phase protector
- Phase reversing power plug

### Optional

- Long drops up to 200m
- Round-end cladding (solid aluminium plate only)
- Perforated cladding
- Telescopic wall rollers
- RAL painting
- Controls for monorail trolleys
- Other power supplies on special request



<b>Width over guardrail</b>	700 mm
<b>A = Distance Suspension Wire to Wall</b>	515 mm
<b>W1 = Nominal Width</b>	765 mm
<b>W2 = Overall Width</b>	990 mm

<b>PLATFORM TYPE</b>	<b>2 m</b>	<b>3 m</b>
<b>L1 = Suspension Rope Centres</b>	2057 mm	2974 mm
<b>L2 = Overall Length</b>	2750 mm	3667 mm
<b>Self weight (See note 1)</b>	300 kg	350 kg
<b>Safe Working Load (SWL)</b>	2500 N	2500 N
<b>Number of persons</b>	2	2

- (1) Selfweight without steel wire rope and power supply cable.  
Add 1.35 kg/m for steel wires and power supply cable

Ref.: 38200-01-D	Issue Date: 10-okt-2003
POWER CLIMBER bvba Tel: +32-3-451.05.00 Fax: +32-3-451.05.01 E-mail: <a href="mailto:Info@PowerClimber.be">Info@PowerClimber.be</a>	POWER CLIMBER ASIA Ltd Tel: 852-2310.2855 Fax: 852-2745.0755 E-mail: <a href="mailto:Infopcal@powerclimber.com.hk">Infopcal@powerclimber.com.hk</a>
Website: <a href="http://www.PowerClimber.be">www.PowerClimber.be</a>	

*This document and all copies are property of Power Climber bvba. All dimensions and data are indicative only. The user must ensure that the equipment complies with local rules and regulations.*